

## > ABT21 BAGGAGE TRAILER



A robust reliable 1800kg, 50 luggage unit capacity ramp baggage trailer. Compliant to IATA and European CE standards and specifically designed for arduous service over many years on busy airport ramps.

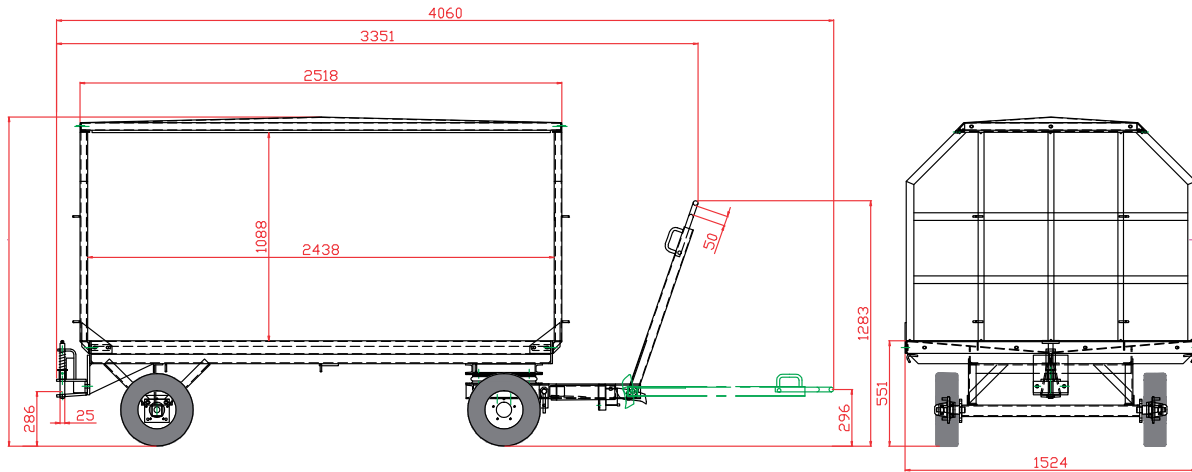
With a formed 3mm thick steel bed on a fully welded and galvanised chassis, bolted on heavy duty steel tube galvanised end frames and OHE's unique replaceable flange mounted taper roller bearing hubs, these trailers are designed to provide many years of service with minimum maintenance.

All baggage carts are fitted with turntable steering on the front wheels and a highly effective yet simple to maintain tow bar activated parking brake. This is engaged when the tow bar is raised and latched, or lowered to the ground. A foot pedal releases the latch and the brakes are released when the tow bar is in the correct towing height.

As standard all trailers are galvanised with hi-vis marking and fitted with a 50mm forged steel tow bar eyes, an E-type spring loaded rear hitch with a 25mm pin and 15 x 4.5-8 x 3 D5 3 stage super elastic solid rubber tyres on split rims. Alternative tow eyes, hitches and wheels / tyres are available.

ABT 21 style trailers are supplied as standard with either 1100mm height tubular end frames a solid galvanised sheet steel roof panel fitted with a special aluminium extrusion into which can be fitted, reinforced, easily replaceable PVC side curtains.

Alternative side curtain fixings and end panels are available as options.



## > OPTIONS / EXTRAS DESCRIPTION

- ▶ 1000 or 600mm end frames
- ▶ Solid in filled end frames
- ▶ Blackboards and document pouches
- ▶ Half height fold down side frames
- ▶ Side panels in place of curtains
- ▶ Special paint finish and corporate marking
- ▶ Pneumatic tyres
- ▶ Torsion suspension
- ▶ Four track steering
- ▶ Alternative hitches - locking E hitch, rockinger self latching, etc
- ▶ Alternative size tow eyes